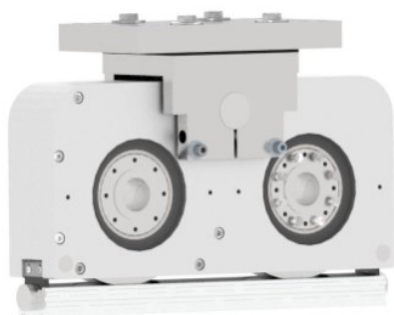


LOXrail® wheel set 40-2-260 AT pendulum

Art. No. 481218

Drawing No. 80000-0090

Double wheel set with drive wheel for motorized applications with pendulum connection



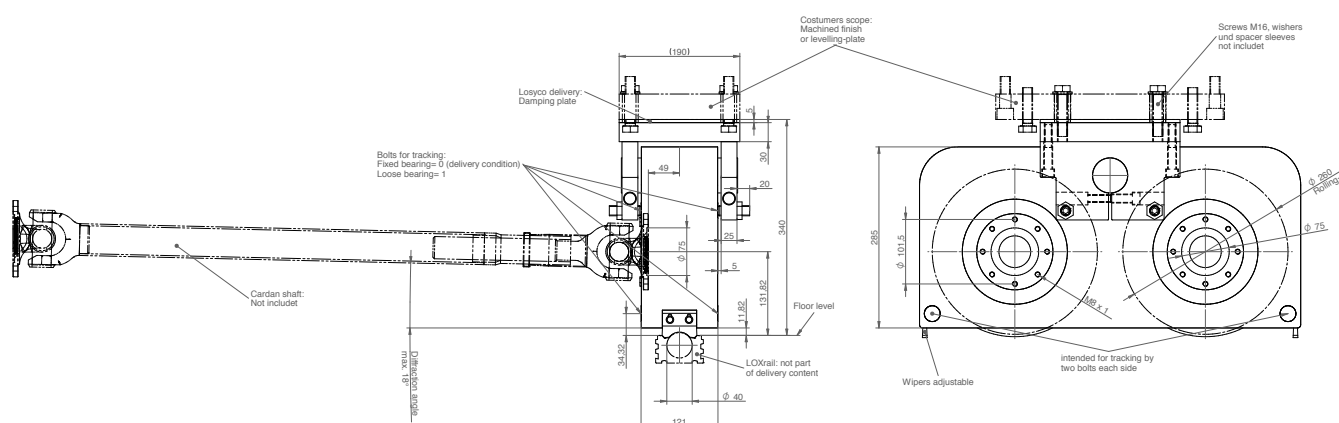
Max. Payload:

- └ 150 kN on LOXrail
- └ 150 kN on cross over elements

Deadweight:

- └ 100,5 kg

- └ Ensures a symmetrical load sharing between both wheels
- └ Easy and quick change of wheel set
- └ For use in application with medium to high loads
- └ 2x drive wheel diameter 260mm
- └ Cardan shafts can be mounted directly to the wheels by hole pattern
- └ Two pc. of brushes wipers to clean the rail
- └ Defined connecting interfaces enable a precise assembly
- └ Rubber plate for damping of impacts during the loading of the carrier



Technical data are subject to changes and errors. Only current article drawings are relevant.