

LOXrail® single idle wheel set 40-1

Art. No. 481202

Drawing No. 16002-0146

Single wheel set for LOXrail® 40



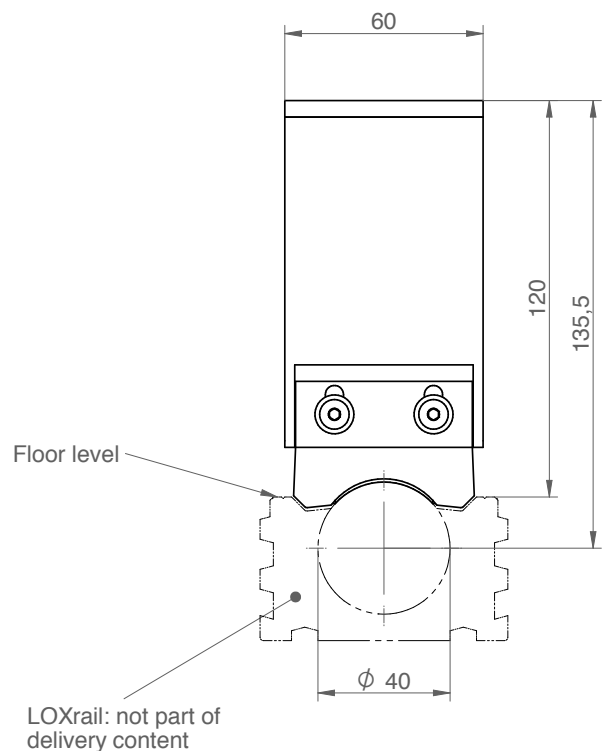
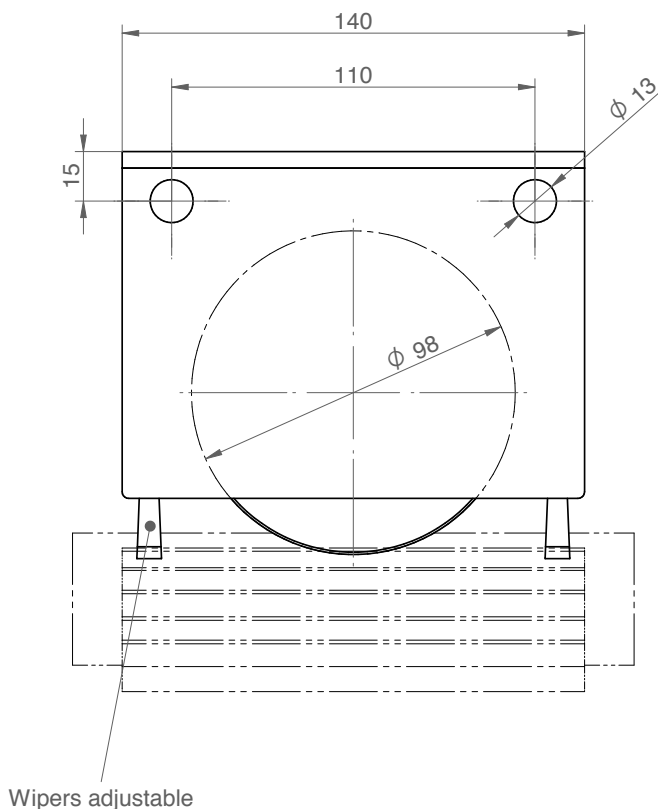
- └ Compact design for applications with lighter to medium loads and without rail crossings
- └ Special profile rollers for LOXrail® 40
- └ Two pc. of brushes wipers to clean the rail
- └ Defined connecting interfaces enable a precise assembly
- └ Rubber plate for damping of impacts during the loading of the carrier

Max. Payload:

- └ 29 kN on LOXrail®
- └ 16,5 kN in case of load on wheel flange

Deadweight:

- └ 2,8 kg



Technical data are subject to changes and errors. Only current article drawings are relevant.