

LOXrail® idle wheel set 40-1 MR

Art. No. 481206

Drawing No. 16002-0510

Single wheel set for LOXrail® 40 with additional mounting frame



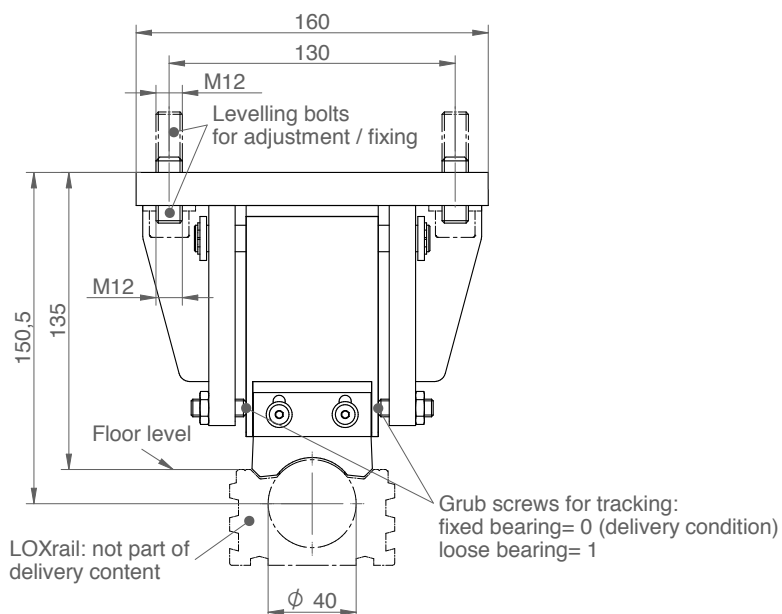
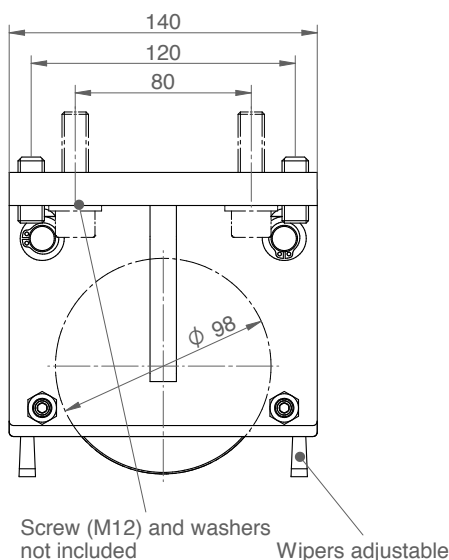
Max. Payload:

- └ 29 kN on LOXrail®
- └ 16,5 kN in case of load on wheel flange

Deadweight:

- └ 8,46 kg

- └ Easy mounting to existing steel work structures
- └ Appropriate installation of wheel set to mounting frame
- └ Special profile rollers for LOXrail® 40
- └ Easy adjustment to fixed or loose bearing
- └ Two pc. of brushes wipers to clean the rail
- └ Defined connecting interfaces enable a precise assembly
- └ Rubber plate for damping of impacts during the loading of the carrier



Technical data are subject to changes and errors. Only current article drawings are relevant.