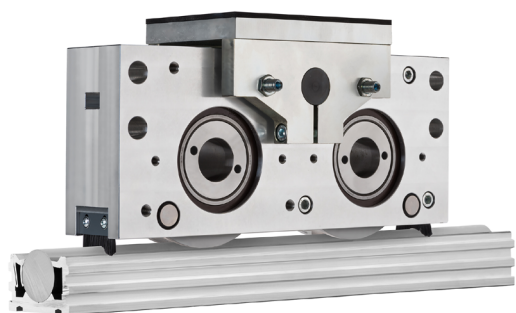


## LOXrail® drive wheel set 40-2-160 AT pendelum

Art. No. 481219

Drawing No. 80000-0120

### Double wheel set with drive wheel for motorized applications with pendulum connection



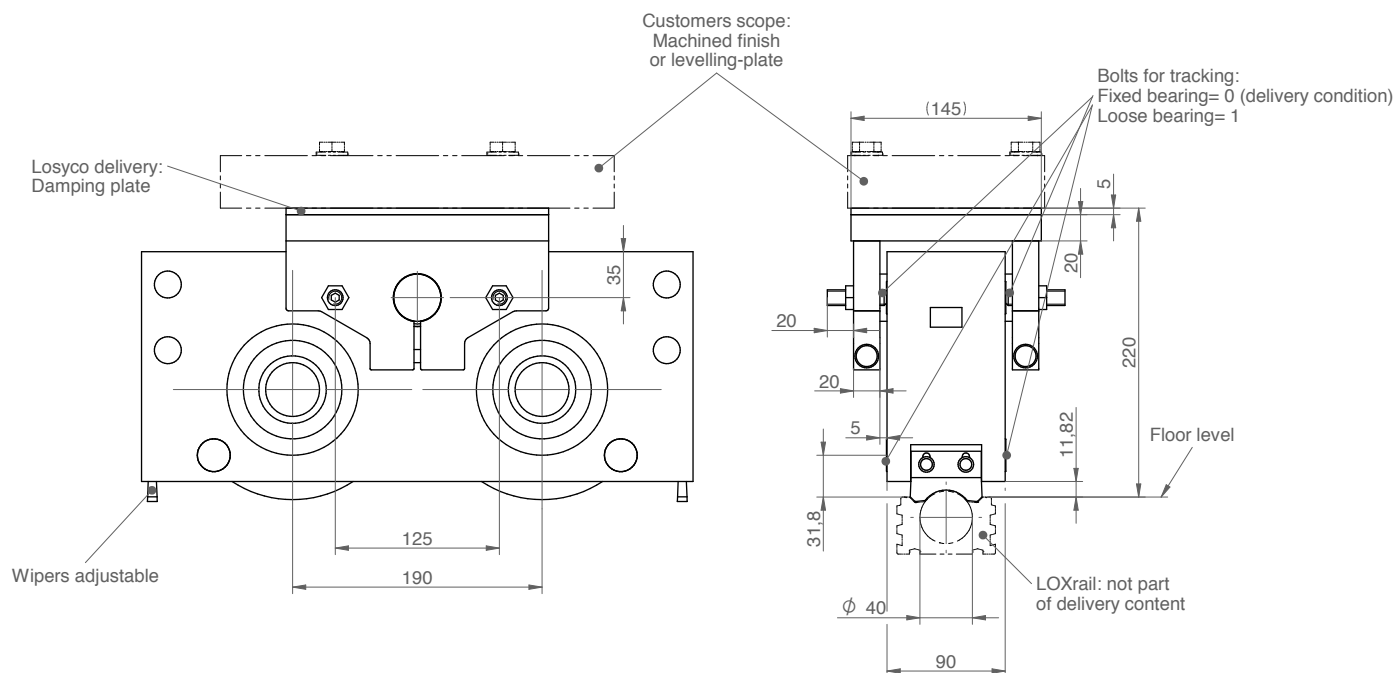
#### Max. Payload:

- └ 100 kN on LOXrail®
- └ 100 kN in case of load on wheel flange

#### Deadweight:

- └ 35,02 kg

- └ Ensures a symmetrical load sharing between both wheels
- └ Easy and quick change of wheel set
- └ For use in application with medium to high loads
- └ 2x drive wheel diameter 160mm
- └ Special adapters are available for connection to cardan or drive shafts
- └ Two pc. of brushes wipers to clean the rail
- └ Defined connecting interfaces enable a precise assembly
- └ Rubber plate for damping of impacts during the loading of the carrier



Technical data are subject to changes and errors. Only current article drawings are relevant.