

LOXrail® double idle wheel set 40-2

Art. No. 481203

Drawing No. 16002-0140

Double wheel set for LOXrail® 40-2



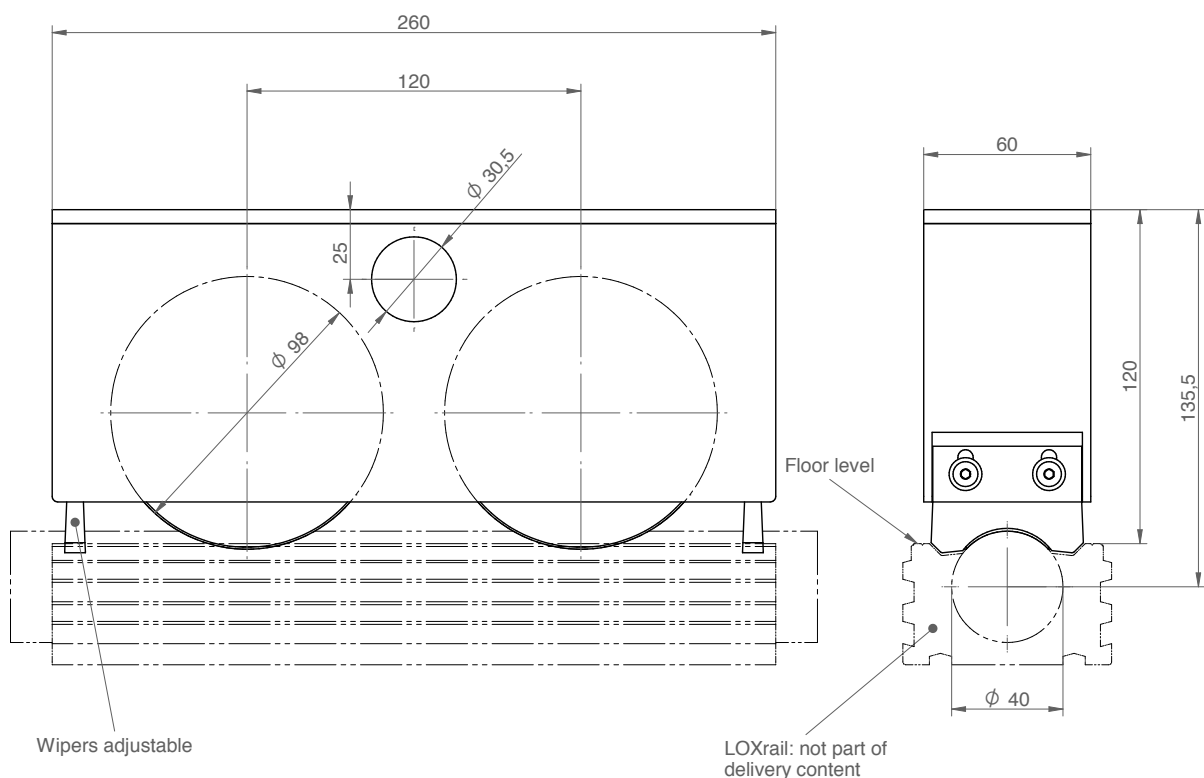
- └ Type with two rollers for medium and higher loads and for applications with rail crossings
- └ Special profile rollers for LOXrail® 40
- └ Two pc. of brushes wipers to clean the rail
- └ Defined connecting interfaces enable a precise assembly
- └ Rubber plate for damping of impacts during the loading of the carrier

Max. Payload:

- └ 58 kN on LOXrail®
- └ 33 kN in case of load on wheel flange

Deadweight:

- └ 5,22 kg



Technical data are subject to changes and errors. Only current article drawings are relevant.