

## LOXrail® Adapter flange set

Art. No. 481301

Drawing No. 16002-0449

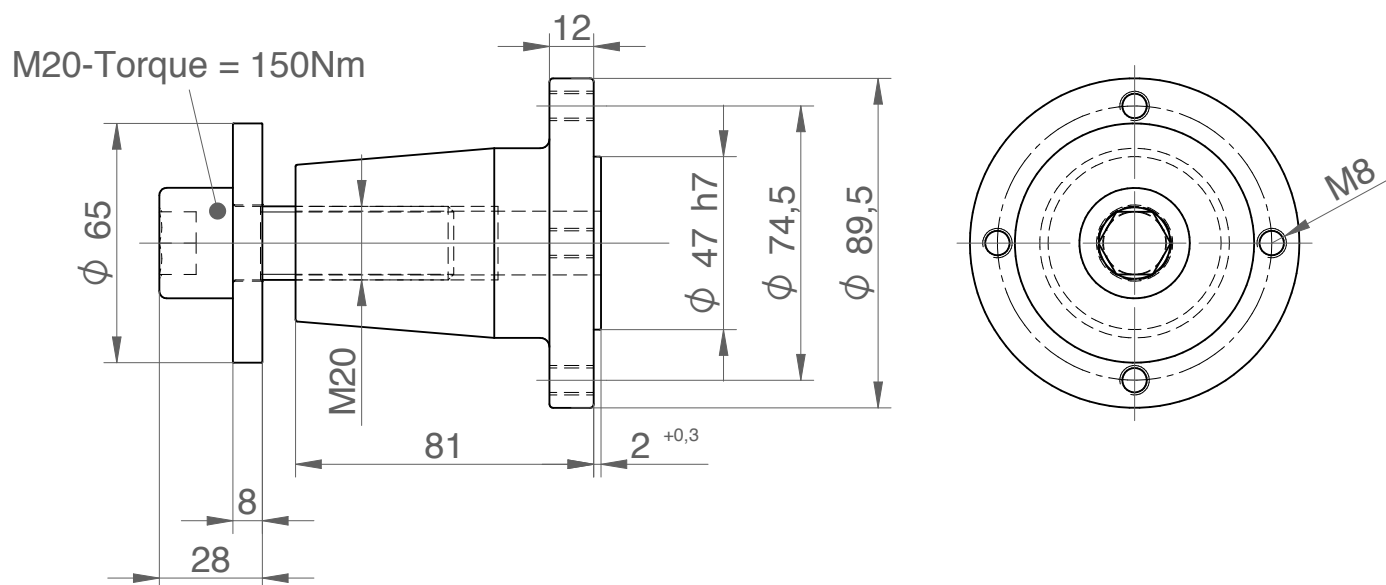
### LOXrail® Adapter flange set for drive wheels



- └ For connection of cardan shaft to drive wheels
- └ Including bolt and washer for assembly to drive wheel

#### Deadweight:

└ 1,87 kg



Technical data are subject to changes and errors. Only current article drawings are relevant.