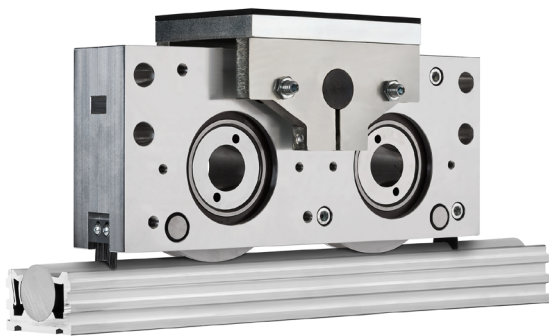


LOXrail® wheel set 25-2 AT pendulum

Art. No. 481270

Drawing No. 80000-0190

Double wheel set with drive wheels for motorized applications with pendulum suspension



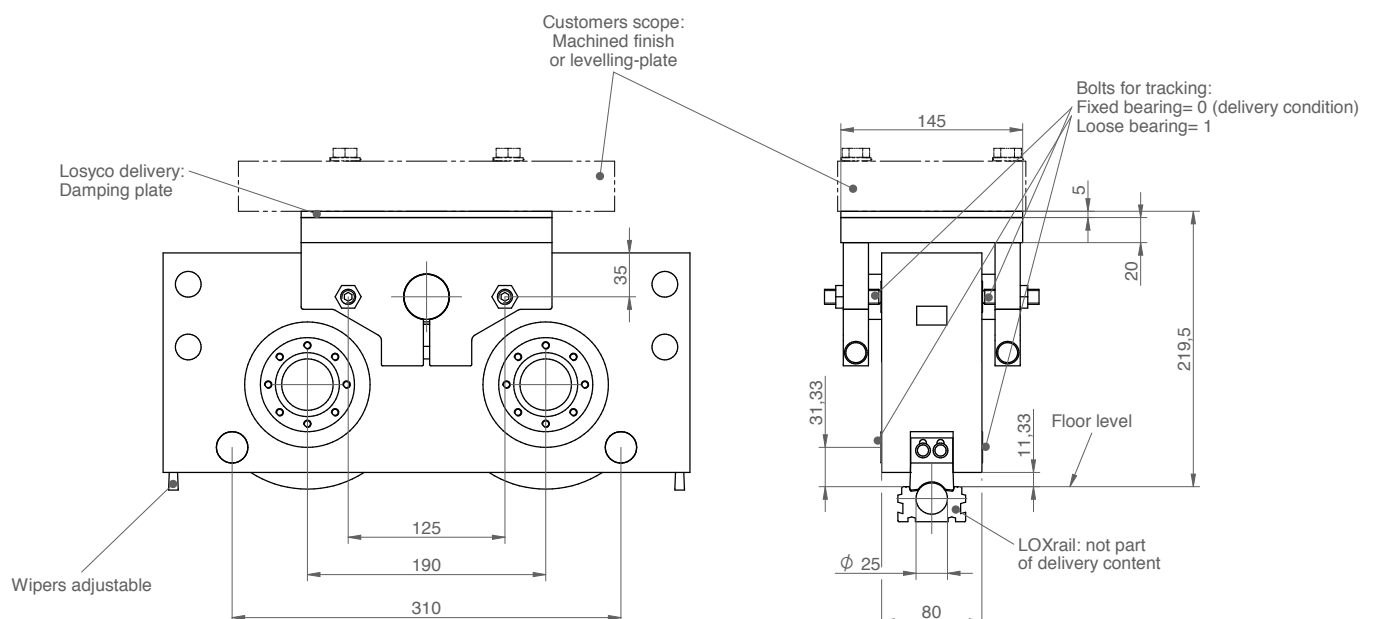
Max. Payload:

- └ 50 kN on LOXrail®
- └ 50 kN in case of load on wheel flange

Deadweight:

- └ 30,8 kg

- └ Ensures a symmetrical load sharing between both wheels
- └ Easy and quick change of wheel set
- └ For use in application with medium loads
- └ 2x drive wheel diameter 160mm
- └ Special adapters are available for connection to cardan or drive shafts
- └ Two pc. of brushes wipers to clean the rail
- └ Defined connecting interfaces enable a precise assembly
- └ Rubber plate for damping of impacts during the loading of the carrier



Technical data are subject to changes and errors. Only current article drawings are relevant.