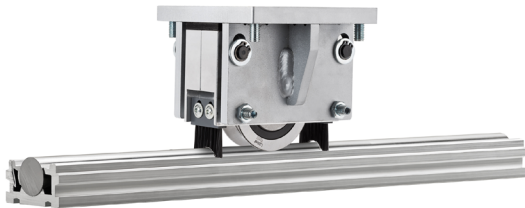


## LOXrail® wheel set 25-1 MR

Art. No. 481204

Drawing No. 16002-0460

### Single wheel set for LOXrail® 25 with additional mounting frame



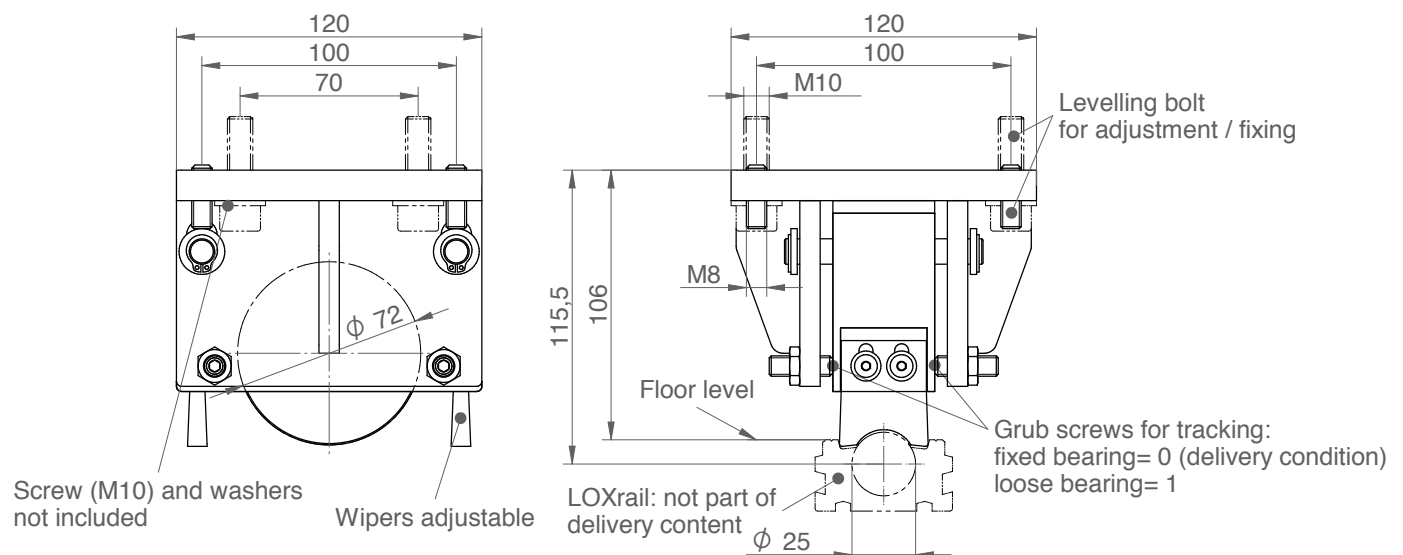
#### Max. Payload:

- └ 16,4 kN on LOXrail®
- └ 7 kN in case of load on wheel flange

#### Deadweight:

- └ 3,77 kg

- └ Easy mounting to existing steel work structures
- └ Appropriate installation of wheel set to mounting frame
- └ Easy adjustment to fixed or loose bearing
- └ Special profile rollers for LOXrail® 25
- └ Two pc. of brushes wipers to clean the rail
- └ Defined connecting interfaces enable a precise assembly
- └ Rubber plate for damping of impacts during the loading of the carrier



Technical data are subject to changes and errors. Only current article drawings are relevant.