

LOXrail® single idle wheel set 25-1

Art. No. 481200

Drawing No. 16002-0136

Single wheel set for LOXrail® 25



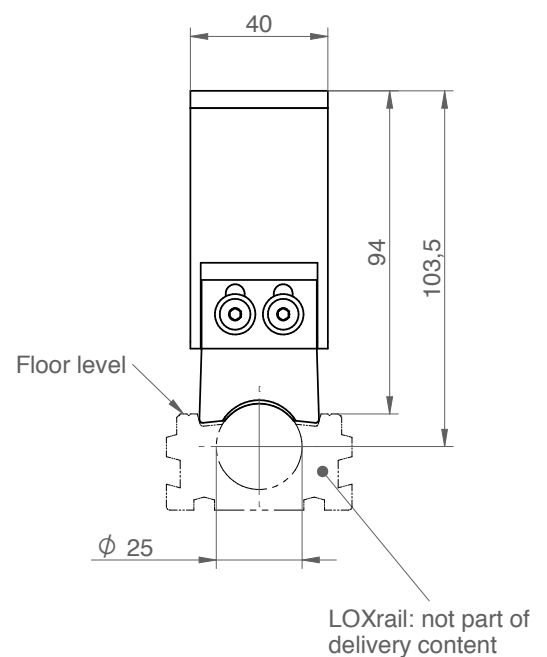
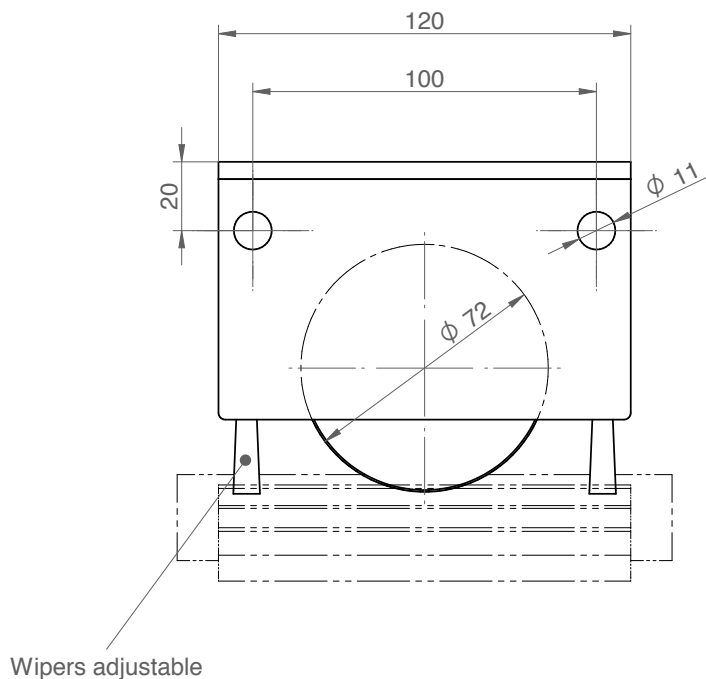
- └ Compact design for applications with lighter loads and without rail crossings
- └ Special profile rollers for LOXrail® 25
- └ Two pc. of brushes wipers to clean the rail
- └ Defined connecting interfaces enable a precise assembly
- └ Rubber plate for damping of impacts during the loading of the carrier

Max. Payload:

- └ 16,4 kN on LOXrail®
- └ 7,05 kN in case of load on wheel flange

Deadweight:

- └ 1,15 kg



Technical data are subject to changes and errors. Only current article drawings are relevant.