

LOXrail® drive wheel set 25-2 AT

Art. No. 481209

Drawing No. 16002-0450

Double wheel set with drive wheel for motorized applications



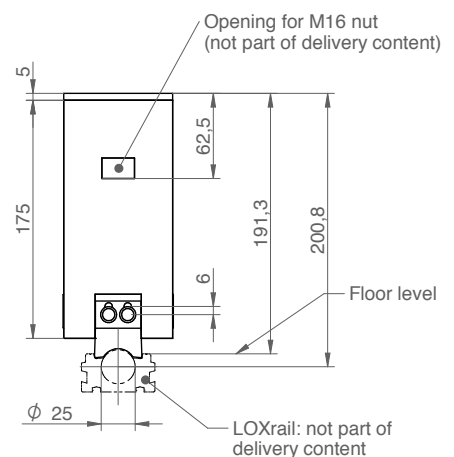
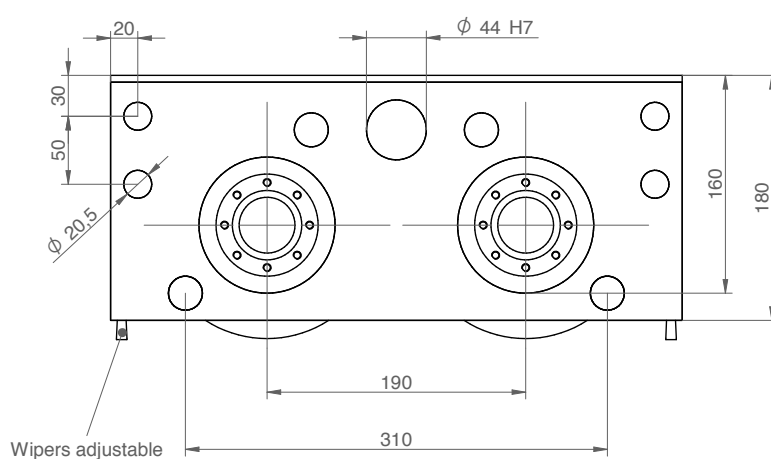
Max. Payload:

- └ 50 kN on LOXrail®
- └ 50 kN in case of load on wheel flange

Deadweight:

- └ 20,36 kg

- └ For use in application with medium loads
- └ 2x drive wheel diameter 160mm
- └ Special adapters are available for connection to cardan or drive shafts
- └ Two pc. of brushes wipers to clean the rail
- └ Defined connecting interfaces enable a precise assembly
- └ Rubber plate for damping of impacts during the loading of the carrier



Technical data are subject to changes and errors. Only current article drawings are relevant.