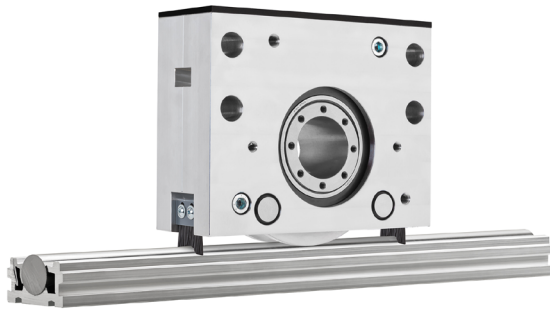


LOXrail® drive wheel set 25-1 AT

Art. No. 481208

Drawing No. 16002-0455

Single wheel set with drive wheel for motorized applications



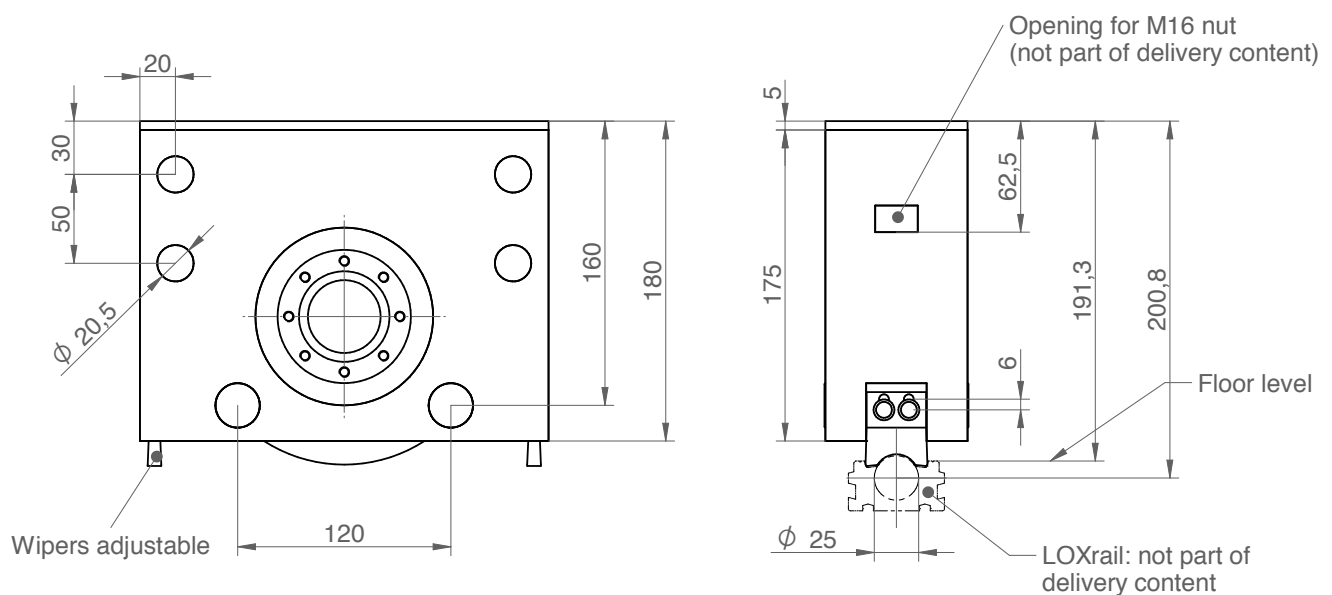
- └ For use in application with lighter loads
- └ Drive wheel diameter 160mm
- └ Special adapters are available for connection to cardan or drive shafts
- └ Two pc. of brushes wipers to clean the rail
- └ Defined connecting interfaces enable a precise assembly
- └ Rubber plate for damping of impacts during the loading of the carrier

Max. Payload:

- └ 25 kN on LOXrail®
- └ 25 kN 25 kN in case of load on wheel flange

Deadweight:

- └ 10,99 kg



Technical data are subject to changes and errors. Only current article drawings are relevant.