

## LOXrail® double idle wheel set 25-2

Art. No. 481201

Drawing No. 16002-0130

### Double wheel set for LOXrail® 25



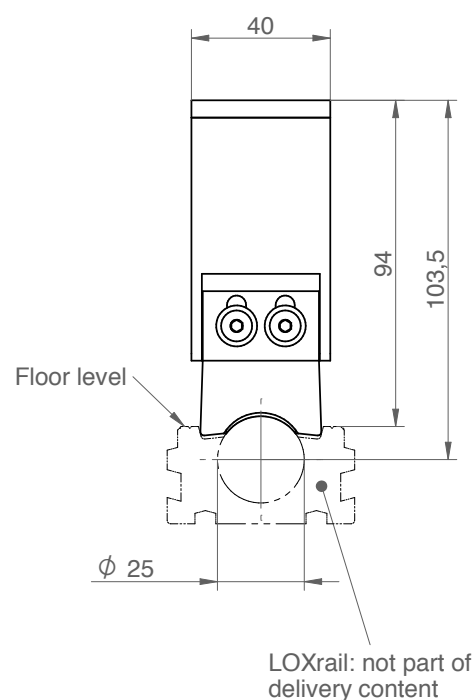
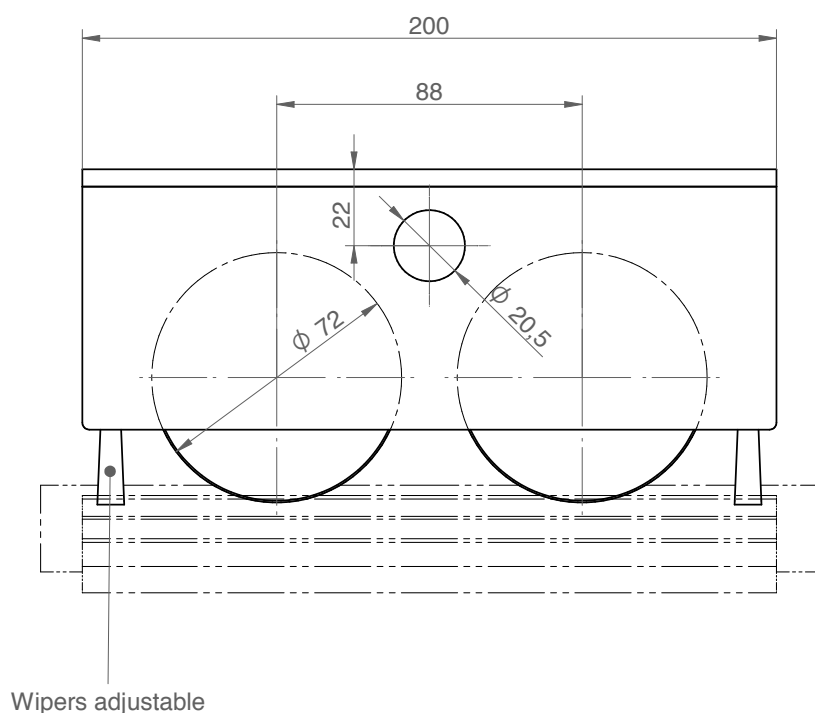
- └ Type with two rollers for medium and higher loads and for applications with rail crossings
- └ Special profile rollers for LOXrail® 25
- └ Two pc. of brushes wipers to clean the rail
- └ Defined connecting interfaces enable a precise assembly
- └ Rubber plate for damping of impacts during the loading of the carrier

#### Max. Payload:

- └ 32,8 kN on LOXrail®
- └ 14 kN in case of load on wheel flange

#### Deadweight:

- └ 1,99 kg



Technical data are subject to changes and errors. Only current article drawings are relevant.