

## LOXrail® Clamping bush D35

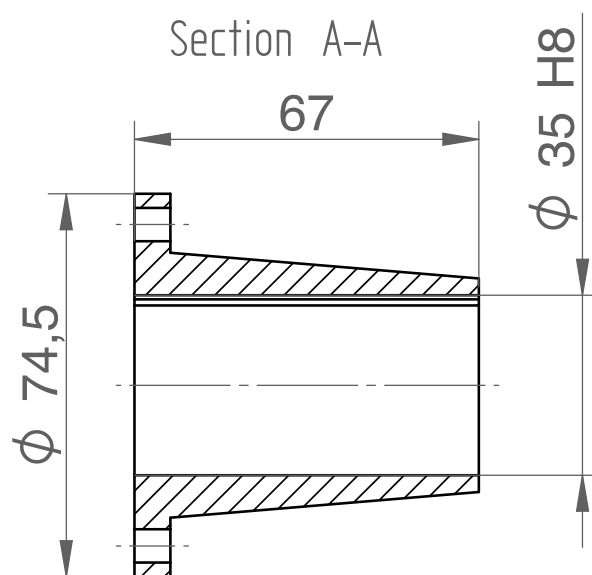
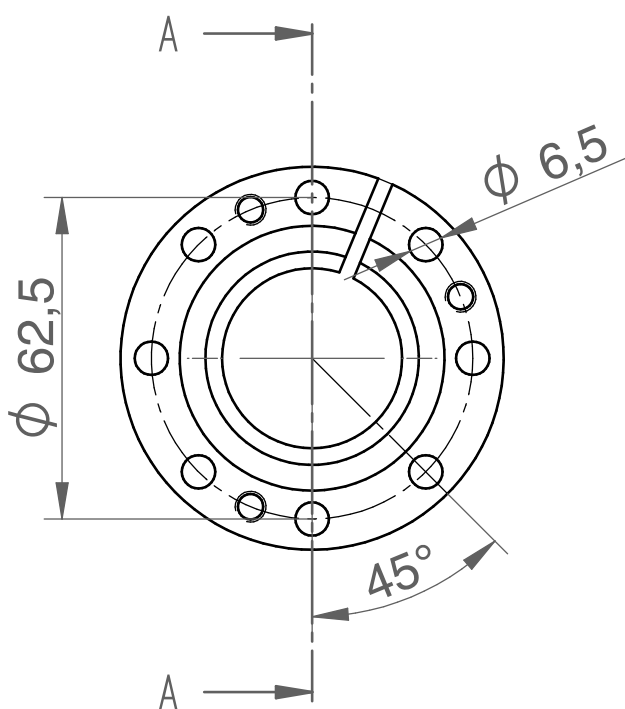
Art. No. 481303

Drawing No. 16002-0439

### Clamping bush for LOXrail® drive wheels



- └ For connection of drive shafts to wheels by clamping
- └ Designed for drive shafts diameter 35mm
- └ Including mounting material



Technical data are subject to changes and errors. Only current article drawings are relevant.