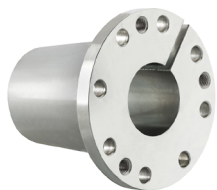


LOXrail® Clamping bush D30

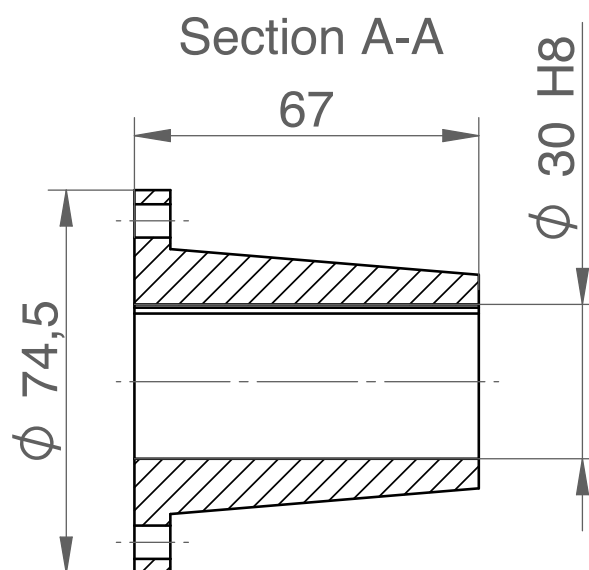
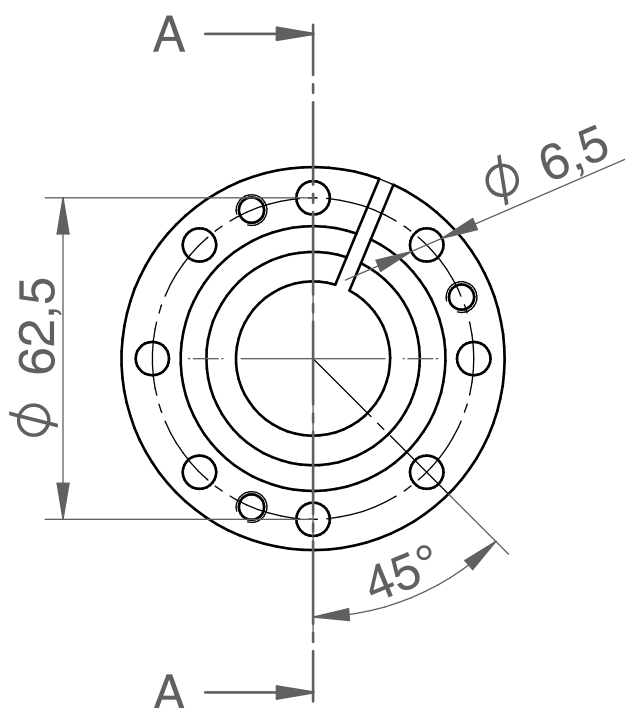
Art. No. 481302

Drawing No. 16002-0459

Clamping bush for LOXrail® drive wheels



- └ For connection of drive shafts to wheels by clamping
- └ Designed for drive shafts diameter 30mm
- └ Including mounting material



Technical data are subject to changes and errors. Only current article drawings are relevant.