

LOXrail® floor sleeve

Art. No. 480213

Drawing No. 16002-0620

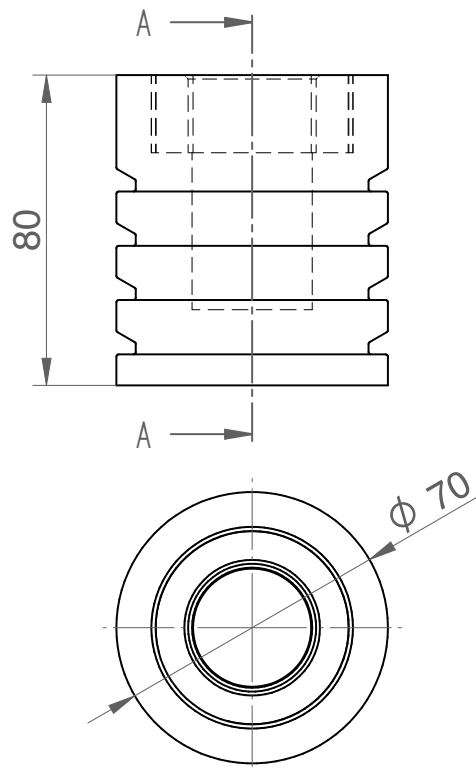
LOXrail® floor sleeve for 30mm diameter bolt



- └ For fixation of trolleys at fix positions
- └ Spring loaded lid seals the sleeve when not in use

Deadweight:

└ 1,56 kg



Technical data are subject to changes and errors. Only current article drawings are relevant.