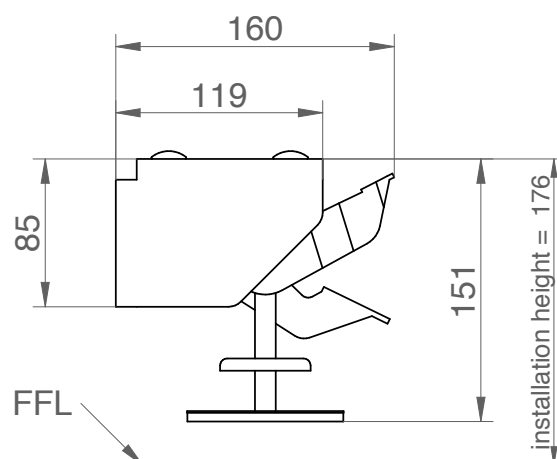
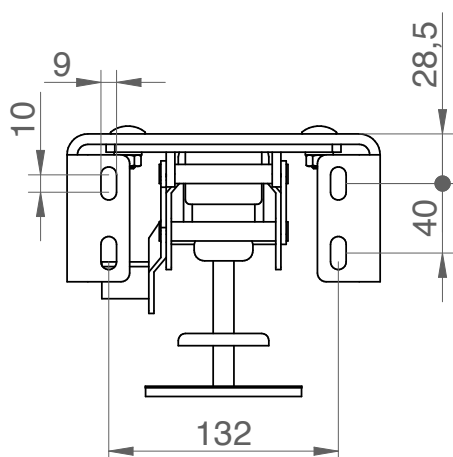
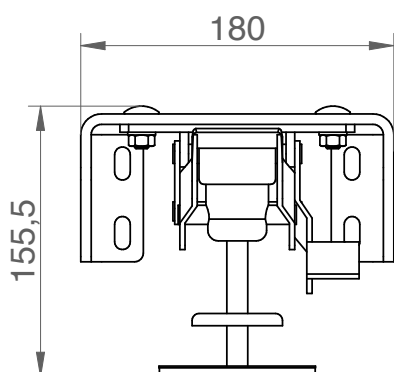


## LOXrail® Floor Stopper medium version

Art. No. 481447

ZDrawing No. 16032-0201

### LOXrail® Floor Stopper medium version



Technical data are subject to changes and errors. Only current article drawings are relevant.