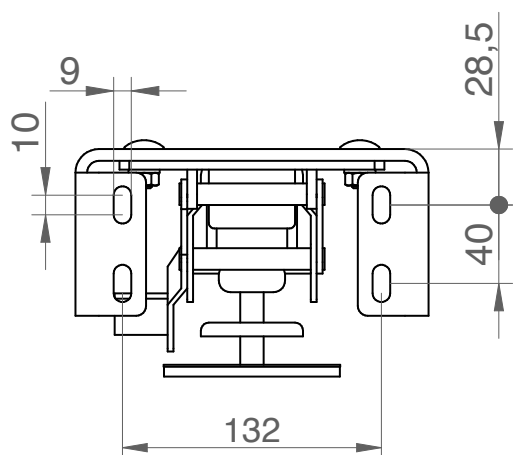
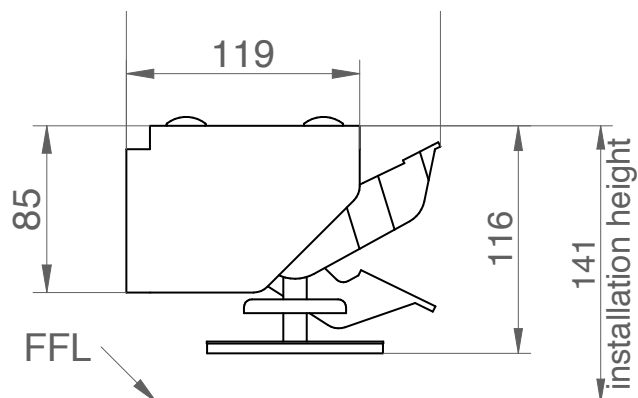
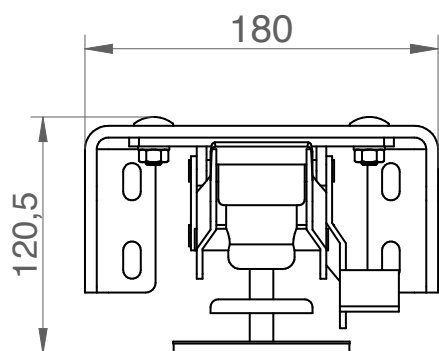


LOXrail® Floor Stopper light version

Art. No. 481446

Drawing No. 80000-0108

LOXrail® Floor Stopper light version



Technical data are subject to changes and errors. Only current article drawings are relevant.