

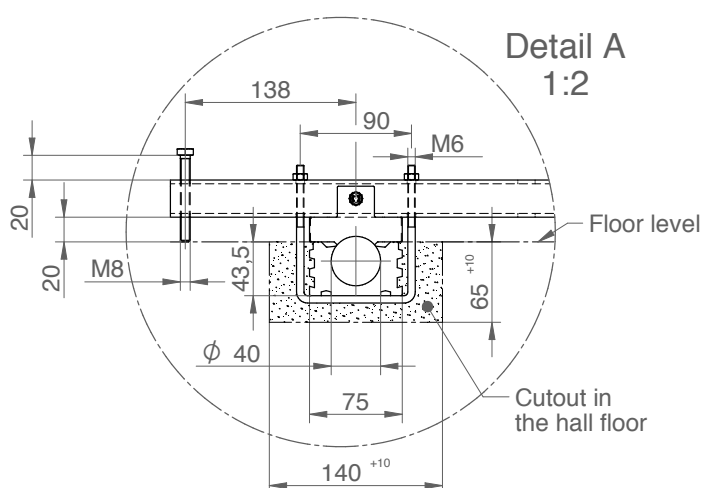
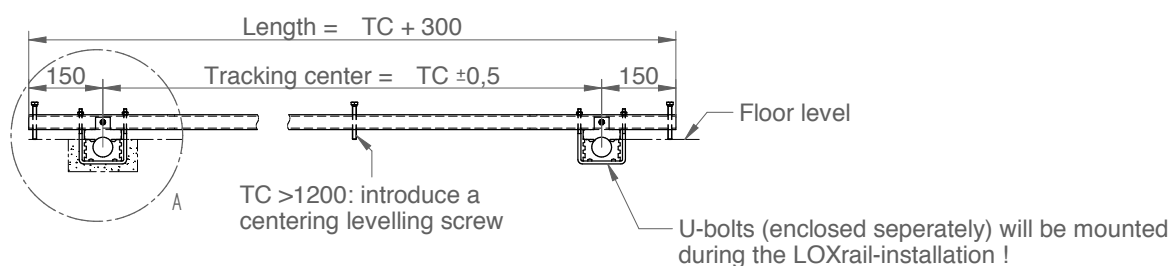
LOXrail® installation jig 40-2

Art. No. 480299

Drawing No. 16002-0473



- └ Installation jig for precise in floor installation of LOXrail® with exact track width
- └ Precise adjustment of rails in height before grouting
- └ The installation jig is set every 1.4m along the tracks
- └ Precisely manufactured according to the individual track center width



Technical data are subject to changes and errors. Only current article drawings are relevant.