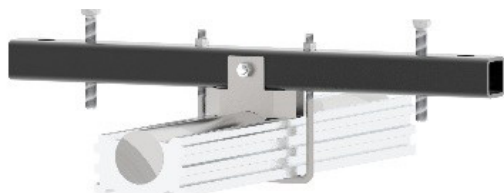


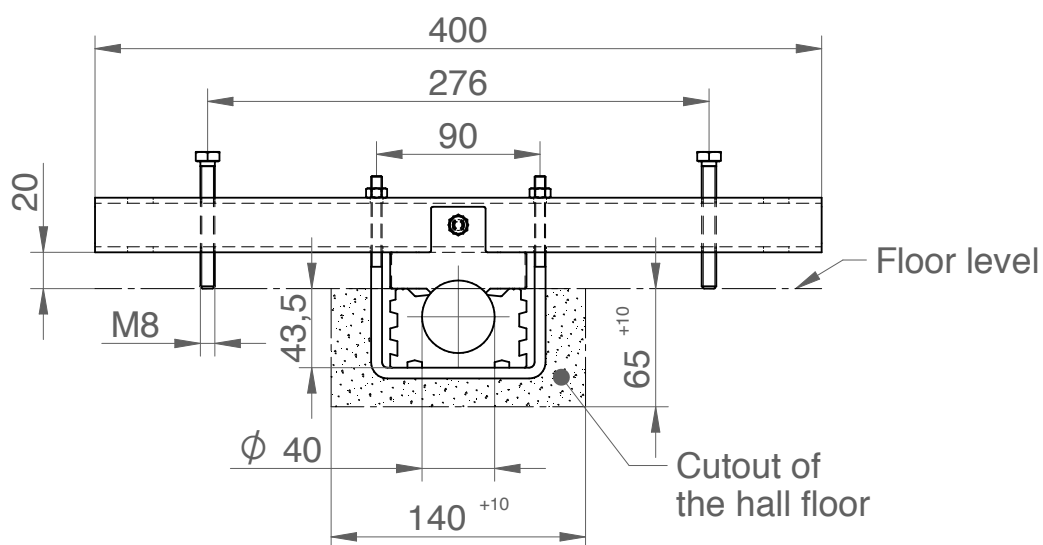
LOXrail® installation jig 40-1

Art. No. 480295

Drawing No.16002-0493



- └ Installation jig for precise in floor installation of LOXrail® with single rail lanes
- └ Precise adjustment of rails in height before grouting
- └ The installation jig is set every 1.4m along the tracks



Technical data are subject to changes and errors. Only current article drawings are relevant.