

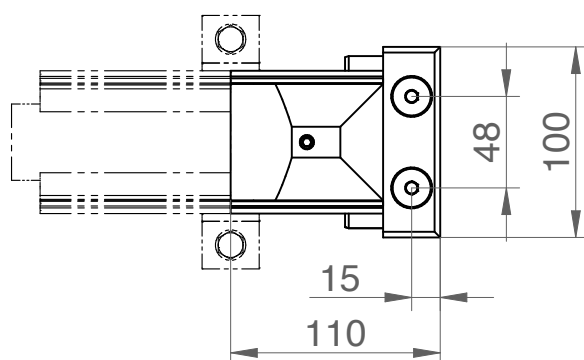
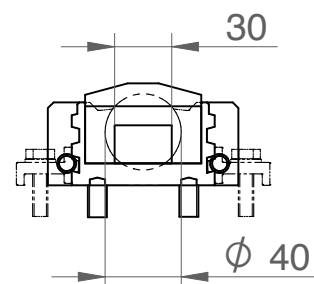
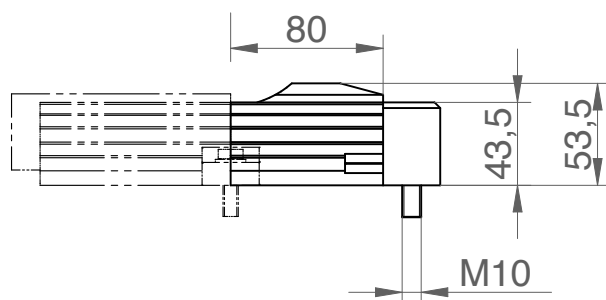
## LOXrail® 40 end stop floor mounted

Art. No. 480219

Drawing No. 80000-0589



- └ End piece for LOXrail® floor rail
- └ Hinders the carrier from inadvertent leaving of the track
- └ Designed for a floor mounted installation



Technical data are subject to changes and errors. Only current article drawings are relevant.