

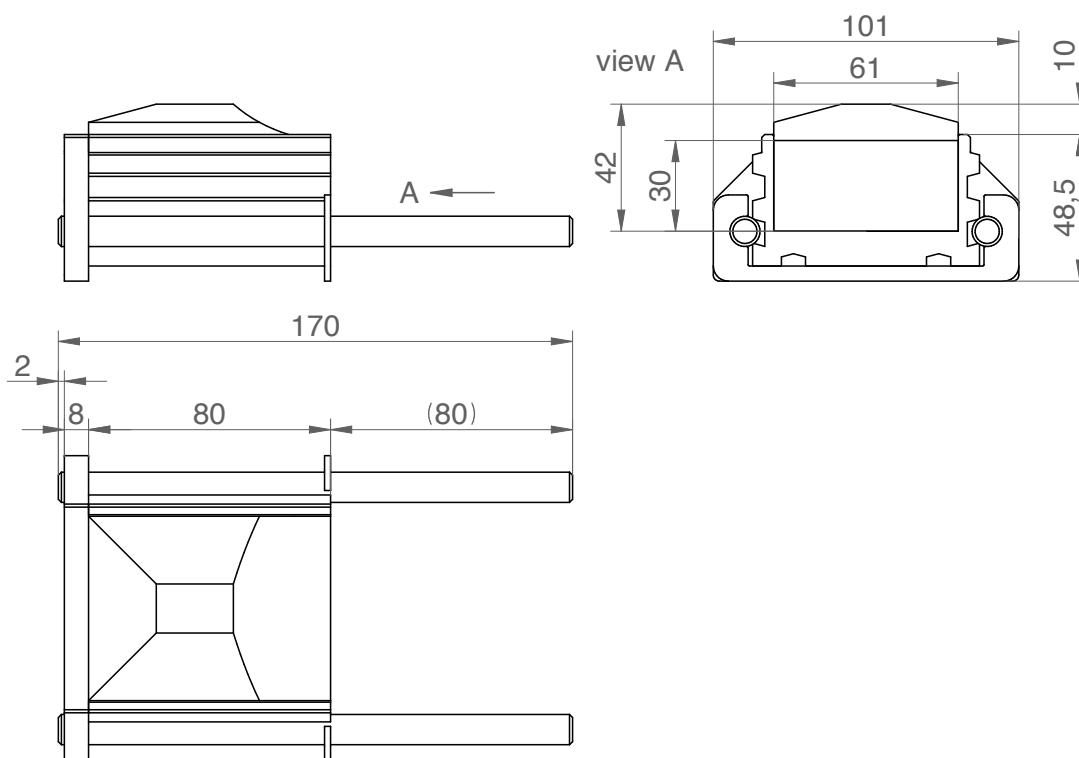
LOXrail® 40 end stop

Art. No. 480205

Drawing No. 16002-0550



- └ End piece for LOXrail® floor rail
- └ Hinders the carrier from inadvertent leaving of the track
- └ Designed for a floor mounted installation



Technical data are subject to changes and errors. Only current article drawings are relevant.