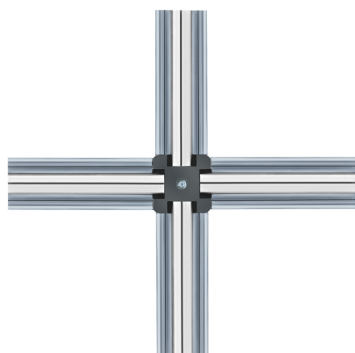


LOXrail® 40 crossing element

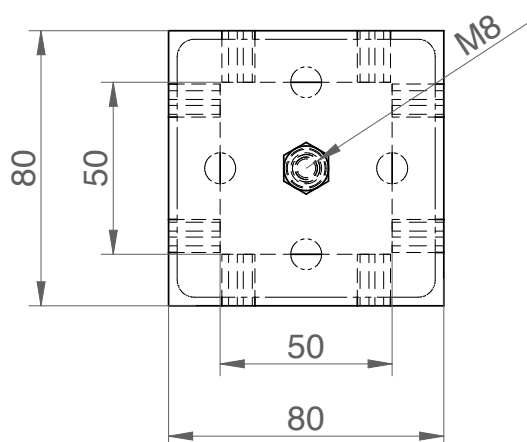
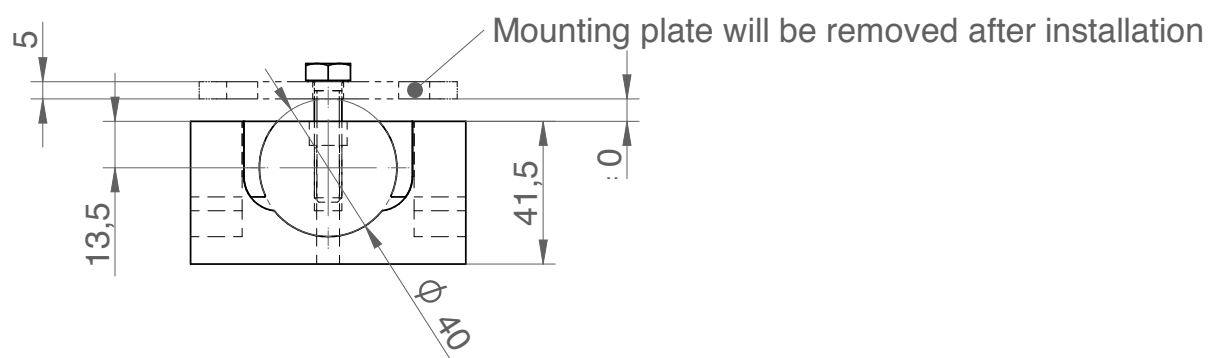
Art. No. 480211

Drawing No. 16002-0106



↳ Hardened connection element for cross over areas incl. cover clips

↳ Incl. mounting plate to clamp the rail during installation



Technical data are subject to changes and errors. Only current article drawings are relevant.