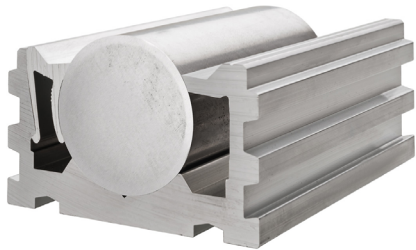


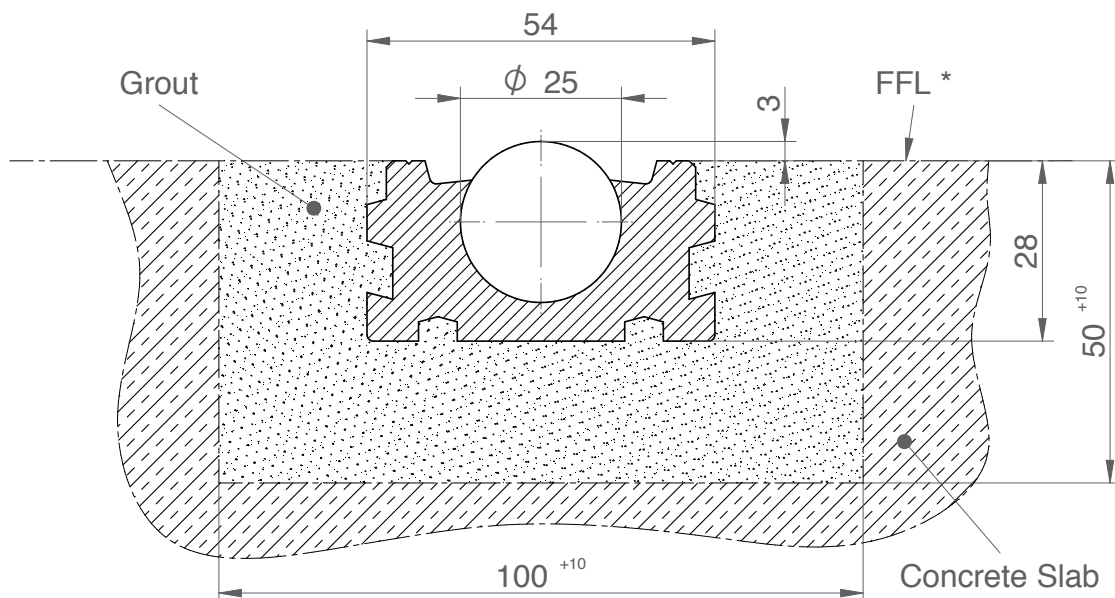
LOXrail® 25 floor rail

Art. No. 480200

Drawing No. 80000-0037



- └ Aluminum base profile
- └ Aluminum clamping profile
- └ Hardened and polished guide rail (optional stainless steel)
- └ Max. length of single profiles: 3000mm
- └ Length will be cut individually to your application



Technical data are subject to changes and errors. Only current article drawings are relevant.