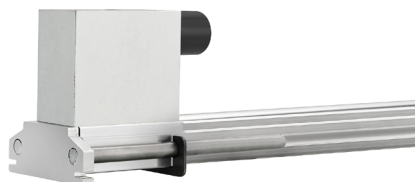


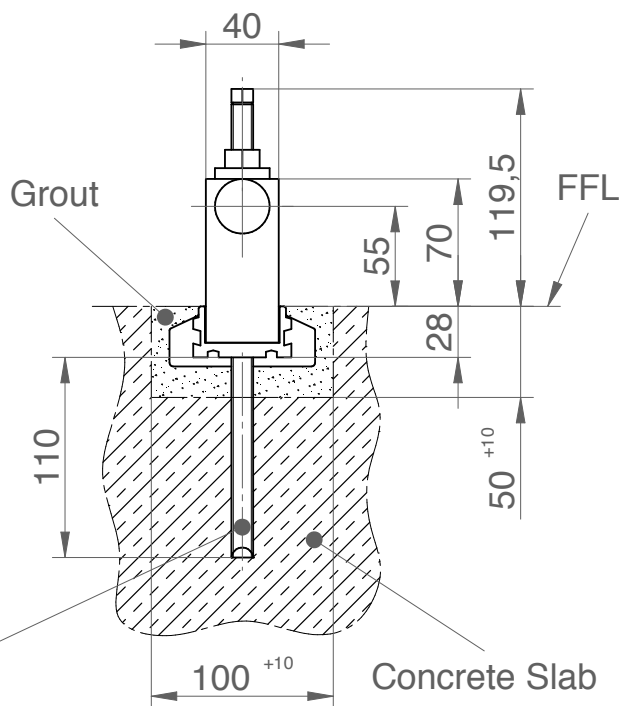
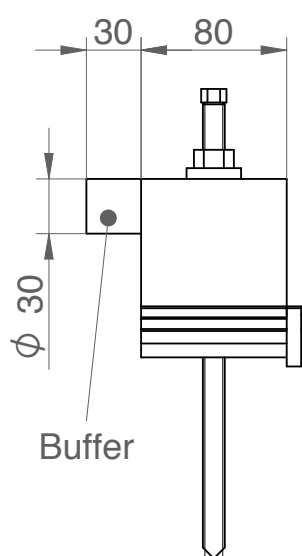
LOXrail® 25 fixed hard stop

Art. No. 484111

Drawing No. 17040-0280



- └ Hard stop to avoid that carriers leave the rails
- └ Rubber shock absorber
- └ Could also be used as a support for positioning at the end of the track
- └ Mounted to the rail and additionally fixed in the floor with an anchor bolt (anchor bolt is not part of delivery)



Dimension of compound anchor / anchor rod:
 Drill hole depth 110 mm
 Nominal drill-bit diameter 14 mm

Technical data are subject to changes and errors. Only current article drawings are relevant.