

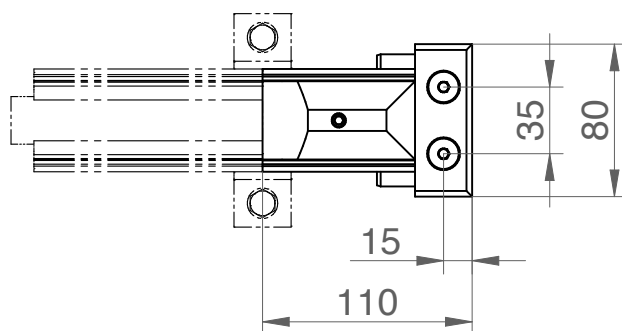
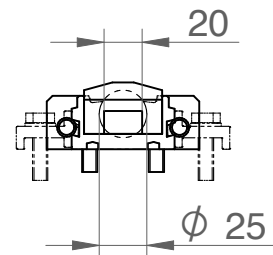
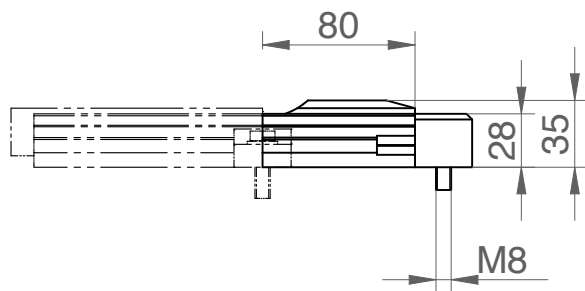
## LOXrail® 25 end stop floor mounted

Art. No. 480218

Drawing No. 80000-0585



- └ End piece for LOXrail® floor rail
- └ Hinders the carrier from inadvertent leaving of the track
- └ Designed for floor mounted installation



Technical data are subject to changes and errors. Only current article drawings are relevant.