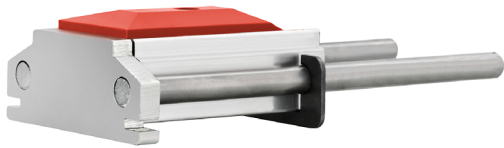


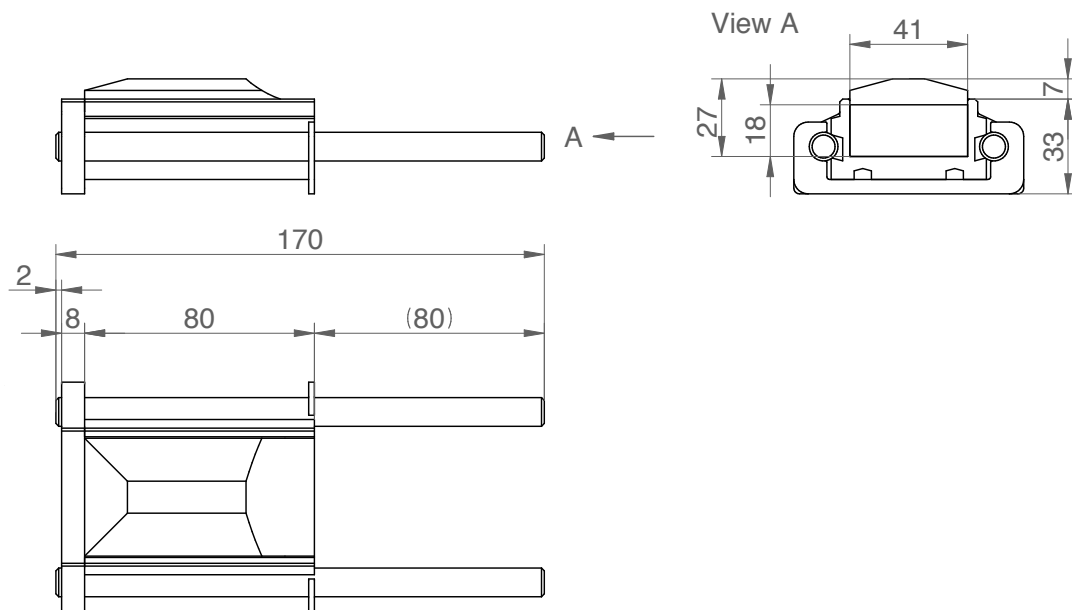
LOXrail® 25 end stop

Art. No. 480204

Drawing No. 80000-0520



- └ End piece for LOXrail® floor rail
- └ Hinders the carrier from inadvertent leaving of the track
- └ Designed for recessed floor installation



Technical data are subject to changes and errors. Only current article drawings are relevant.